

HATSUTA

FPS

FIRE PREVENTION SYSTEM

GENERAL CATALOG

Fire

Preve

Systeme



Protecting Industrial Equipment from All Fires

FPS products are used to reduce the damage caused by industrial fires by suppressing fires inside fire risk areas of each industrial equipment, thus preventing (Fire Prevention) large scale losses from industrial fires.

Also the fire protection systems can be specifically designed and installed for each manufacturing equipment tool, and we can provide professional after service round the clock.

ntion



Fire Prevention Systems

The History of Cabinex

On the 24th July 1948 the first fire code in Japan announced “the promotion of protecting the welfare of society by preserving law and order through the reduction of damage caused by fire and earthquake disasters by preventing, warning, and suppressing fires.

However, with the advancement of industrial equipment and automation leading to unmanned lines, fire code by itself was not sufficient to protect fires in industrial equipment.

From listening to customers concerns that “industrial equipment was the cause of the factory burning down” the Cabinex D was born in 1982.



Cabinex for domestic use

(Halon 1301 and Carbon dioxide)

1982
Cabinex D Series



1984
Cabinex DII Series



1992
Cabinex E Series



1993
Cabinex K Series



Cabinex for overseas use

(Carbon dioxide)

1998
Cabinex FWT Series

2000
Cabinex CWT Series



2004
Cabinex EWT Series



History of HATSUTA Cabinex

From then, by responding to customers needs, we have partonage in Japan and world wide.

In 2008 the Matoi series was developed.

Matoi was used in the Edo period (1603 - 1868) by fire fighters to indicate the location of a fire so that other fire fighters could run and help frantically with the fire fighting.

The Matoi Cabinex keeps that spirit of protecting life and property.



1995
Cabinex
EN Series



2005
Cabinex
EN2 Series



1998
Cabinex
Argonite Series



1995
Cabinex
KN Series



1999
Cabinex
KZ Series



Derived
model

ING Series
for EDM



Wind Cabi
for Wind Turbines



Selecting the Automatic Fire Extinguishing System

Depending on the hazard, the appropriate detection and extinguishing agent should be selected.

Hatsuta's automatic extinguishing systems are special designed for specific hazards.

Below is a summary that can be used to select the appropriate system. Upgrades are also possible.

	CABINEX-EN2	CABINEX-KZ	FM Approved CABINEX-EWT	ARGONITE- CABINEX	ing 24II
Semiconductor and FPD Equipment	✓		✓	✓	
Small Machine Equipment	✓	✓			
Gravure Printing Equipment					✓
Cleaning Equipment	✓				
EDM					✓
Magnesium Metal				✓	
IPA Vapour Dryer	✓		✓	✓	
Etching Equipment	✓		✓	✓	
Stripping Equipment	✓		✓	✓	
Resist Equipment	✓		✓	✓	
Coating Equipment	✓		✓	✓	
Chemical Recovery Processing Equipment	✓		✓	✓	
Chemical Supply Equipment	✓		✓	✓	
Sealing Equipment	✓			✓	
Sputter Equipment	✓		✓	✓	
Film Formation Equipment	✓		✓	✓	
Machining Center	✓			✓	
NC Lathe	✓	✓		✓	
Finishing Lathe	✓	✓		✓	
Grinding Polishing	✓			✓	
Dust Collector	✓				
Draft Chamber	✓			✓	
Automatic Solder Bath	✓				
Temperature Chamber	✓			✓	
Test Equipment	✓			✓	
Exhaust Duct	✓				

Fire Prevention System General Catalog

CONTENTS

Automatic Fire Extinguishing Systems for Manufacturing and Test Equipment

Cabinex Series

CABINEX-EN2	7
CABINEX-KZ	9
CABINEX-EWT	11
ARGONITE-CABINEX	13
ing24II	15
Detectors	17
Example Installations	21
Maintenance	23

Automatic Fire Extinguishing Systems for New Energy

Wind Cabi	25
Smart Grid Cabi	27
Example Installations	29

Fire Extinguishers and Special Extinguishers for Metal

ECOSS-Pure Water	30
METAX	31

Regarding the Marks



Self Certification (Type II)

Based on Hatsuta's environmental standards it is a type II environmental label



RoHS Directive

EU directive regulating the use of certain harmful substances in electrical equipment
RoHS directive (6 restricted substances), indicates the levels are below the permitted threshold levels.



PFOS (regulation of chemical substances)

Law established for certain chemical substances

CABINEX-EN2

Automatic Fire Extinguishing System (CO₂) for Semiconductor and Machine Tools.

CABINEX-EN2 is an automatic fire extinguishing system that does not react chemically with the protected hazards nor leaves any residue.

CABINEX-EN2 provides effectiveness and safety. This type is suitable for machine tools, exhaust ducts in factories and other equipment.



COX-7EN2

Optimal Fire Detector

Heat Detector

THKS-10 (for Machine Tools)
THPS-10 (for Semiconductor / liquid crystal Manufacturing Equipment)

3 Wavelength IR Flame Detector

SX-3024Ⅲ
SX-7000



Point

Various setup can be possible to meet the installation conditions and requirements among those as shown below:

Fire Detection Setup

- Selectable between "AND (Cross Zone)" function and "OR (Single Zone)" function.
- Combination of types of sensors can be selected according to the conditions.
- Small detectors (developed by HATSUTA) available.

Flexible Installation and Functional Setup

- Selectable between "Automatic" and "Manual" operation modes.
- Selectable between "Panel" combined unit and Panel separated units.

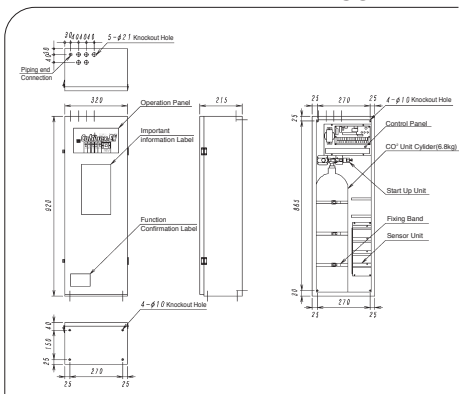
Self-Supervision and Safety Precaution

- Automatic alarm indication of possible fault(s) in the detector(s).

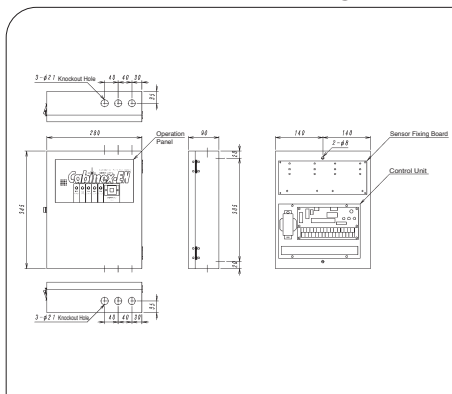
CABINEX-EN2

Constructions

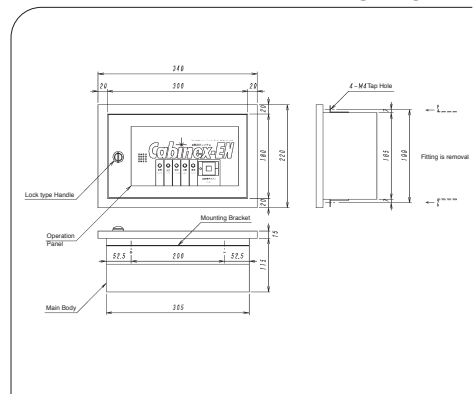
COX-7EN2



CPX-REN2



CPX-UEN2



Specifications

		Integrated Type				Separate Type Control Unit		
Certification No.		COX-3EN2	COX-5EN2	COX-7EN2	COX-14EN2	COX-18EN2	CPX-REN2	CPX-UEN2
Main Chassis & Container	External Dimensions (HxDxW)mm	760×290×180mm	920×320×215mm	920×320×215mm	1,160×400×300mm	1,160×400×300mm	345×280×90mm	220×340×130mm
	Weight	Approx. 23kg	Approx. 35kg	Approx. 37kg	Approx. 86kg	Approx. 90kg	Approx. 6kg	Approx. 6.3kg
	Fire Extinguishing Agent	Carbon Dioxide (CO ₂)						
	Weight of the Fire Extinguishing Agent	3.2kg	4.6kg	6.8kg	14.0kg	18.0kg	—	
	Coating Specification	Coating Color: Red Melamine Baking Finish						
	Material	Steel (SPCC) t=1.2mm			Steel (SPCC) t=1.6mm			
Control Function	Operating Temperature Range	0 to 40°C						
	Input Supply Voltage Range	100V, 110V, 200V, 220V, AC 50/60Hz (With Each Voltage Terminal)						
	Power Consumption	24VA Max.						
	Operation Circuit Voltage	24V DC						
	Sensor Input Circuit	2 Lines (AND/OR Operation Selection System)						
	Start Button	Red Push Button (With Breaking Acrylic Plate)						
	Reset Button	White Push Button						
	Automatic/Manual Operations Selector Switch	The Fire Extinguisher can be Operated with a Sensor Input Signal in the Automatic Mode						
	Alarm Buzzer	Electronic Buzzer (Continuous Sound in Case of Fire, Intermittent Sound in Case of Fault Condition)						
	Buzzer Stop Switch	Stops the Intermittent Sound in Case of Abnormal Condition (The Continuous Sound in Case of a Fire Cannot be Stopped)						
	Power Indicator Lamp	Green LED						
	Auto Indicator Lamp	Green LED (Light Up in the Automatic Mode)						
	Fire Indicator Lamp	Red LED (Flashing in Case of Fire)						
	Discharge Indicator Lamp	Red LED (Flashing when the Actuator Unit Operates)						
	Fault Indicator Lamp	Yellow LED (Flashing at Start-Up Unit Failure, Sensor Wiring Line Suspended)						
	Burn-out Indicator Lamp	Red LED (Flashing at Sensor Wiring Line Suspended)						
	Unit Failure Indicator Lamp	Red LED (Flashing When the Start-Up Unit Connector is not Connected Yet)						
	Buzzer Stop Indicator Lamp	Red LED (Flashing at Buzzer Stop)						
	Fire Annunciating Relay	Contact c×1						
	Machine Stop Relay	Contact c×1, Contact a×1, Contact b×1						
Power Failure Annunciating Relay	Contact c×1							
Contact Specification	Contact Capacity: 60W/125VA Max. Maximum Current: 1A Maximum Voltage: 250V AC/200V DC							
Unit Product Code	60093099	60093199	60093299	60093399	60093499	36584400	36584500	
Selected Model								

		Separate Type				Sub Type		
Model		COX-7ENS2	COX-14ENS2	COX-18ENS2	COX-30ENA2	COX-45ENA2	COX-30ENA2-S	COX-45ENA2-S
Main Chassis & Container	External Dimensions (HxDxW)mm	920×320×215mm	1,160×400×300mm	1,160×400×300mm	1,755×400×330mm	1,915×525×380mm	1,755×400×330mm	1,915×525×380mm
	Weight	Approx. 36kg	Approx. 84kg	Approx. 88kg	Approx. 140kg	Approx. 180kg	Approx. 140kg	Approx. 180kg
	Fire Extinguishing Agent	Carbon Dioxide (CO ₂)						
	Weight of the Fire Extinguishing Agent	6.8kg	14kg	18kg	30kg	45kg	30kg	45kg
	Coating Specifications	Coating Color: Red Melamine Baking Finish						
	Material	Steel (SPCC) t=1.6mm						
Operating Temperature Range	0 to 40°C							
Maintenance Valve	—			With				
Unit Product Code	60093999	60094099	60094199	60093599	60093699	60094299	60094399	
Selected Model								

CABINEX-KZ

Automatic Fire Extinguishing System (CO₂) for Machine Equipment.

Born from users needs, The fire extinguishing system for small machine equipment.

Machine tools are increasingly improving their functions and becoming more compact.

Hatsuta has been listening to machine tool user's needs and has developed the Cabinex-KZ especially for this purpose.

Keeping the essence of the Cabinex-K series, the KZ is even more compact, and has improved fault analysis functions. High quality and superior cost performance make the Cabinex-KZ an easy choice.



COX-5/7KZ

Optimal Fire Detector

■ Heat Detector
THKS-10



Point

Compact and Flexible Design

The KZ became more compact than the previous series by 20% and can be fixed to the machine tool by its back or by either side. Although machine tools have been getting smaller, the Cabinex-KZ can be installed easily.

Increased Functions

The Cabinex-KZ has fault detection functions, demanded by users, to make it even safer. When there is a fault, the buzzer sounds intermittently, and the power indicator blinks, producing an aural and visual indication.

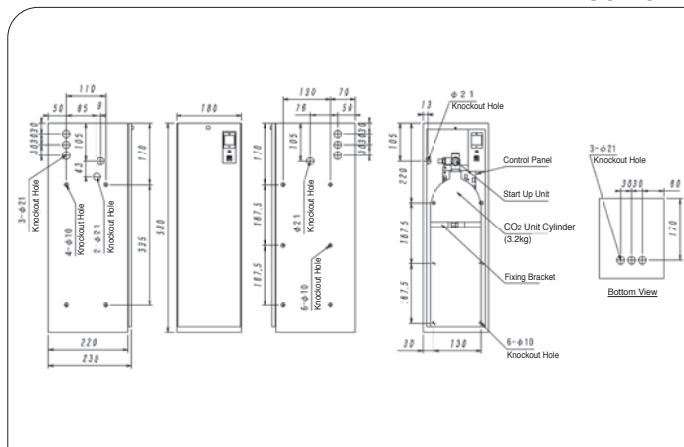
CABINEX-KZ

Aiming to cut the down time of your production line

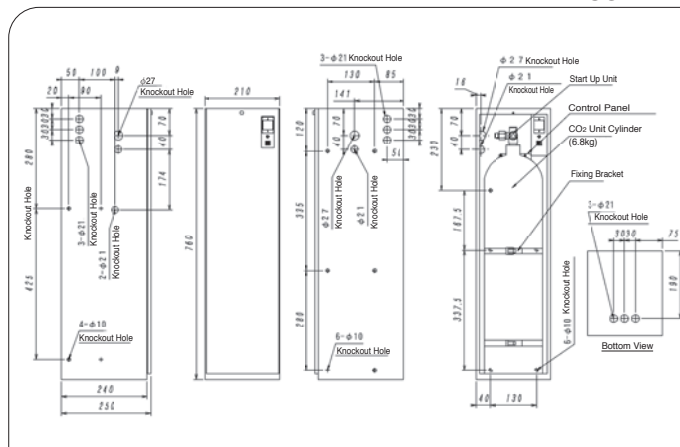
Delivery delay caused by a fire will lose the trust of your business partners. To prevent long down times from a fire, and restore your production line as soon as possible, Hatsuta offer an automatic fire extinguishing system at a reasonable price.

Constructions

COX-3KZ



COX-7KZ



Specifications

Model		COX-2KZ	COX-3KZ	COX-5KZ	COX-7KZ
Box	Dimensions (H×W×D) mm	480×180×230mm	580×180×230mm	760×210×250mm	760×210×250mm
	Extinguishing Agent Weight	2kg	3.2kg	4.6kg	6.8kg
	Total Weight	Approx. 16kg	Approx. 20kg	Approx. 26kg	Approx. 33kg
	Coating Specification	Coating Color: Red Melamine Baking Finish			
	Material	Steel (SPPC)			
Control Unit	Operating Temperature Range	0 to 40°C			
	Input Voltage	AC200V±10% 50/60Hz 0.3A			
	Power (Max)	8VA Max.			
	Control Circuit Voltage	DC24V			
	Alarm Buzzer	Alarm: Continuous Sound Fault: Intermittent Sound			
	Power LED	Green, Normal: ON, Fault: Flashing, Power down: OFF			
	Heat Detector Input	1 Line			
	TH Sensor Input	TYPE: THKS×2 Lines 70°C Setting Only			
	Start Button	Red with breakable acrylic cover			
	Machine Stop Relay	Contact C×1 Single pole double through relay contact			
	Fault Relay	Contact C×1 Single pole double through relay contact			
	Relay Contact Specification	60W Max. 125VA Max. 1A Max. 250V AC Max. 200V DC Max.			
	Remote Start Button	Option (Allows manual actuation from a remote position)			
	Additional Relays	Option (4 Single pole double through relay contacts)			
Unit Product Code	60075099	60075199	60075299	60075399	
Selected Model					

CABINEX-EWT

Automatic Fire Extinguishing System (CO₂) for Semiconductor and F.P.D Manufacturing.

CO₂ Extinguishing System for Semiconductor Manufacturing Equipment. Meets the global safety requirements of the Semiconductor and Flat Panel Display (F.P.D) Manufacturing Industries.



COX-100EWT

Optimal Fire Detector

- Heat Detector
THIS-20
- 3 Wavelength IR Flame Detector
SX-7000



Point

FM Approved

Compact and Slim

The dimensions of the extinguishing system are approximately 25% more compact than previous models.

History Function

The control panel includes addressable points and history functions as standard. The time of a detector's alarm, a fault situation, and the detector activated, can be easily checked on the LCD display.

CO₂ for clean efficient extinguishing

The required amount of CO₂ for extinguishing is calculated by using approved FM regulations to

ensure complete extinguishment. CO₂ is non-conductive and clean. After discharging CO₂, there is little effect on the clean room environment and the protected equipment.

After Care and Service

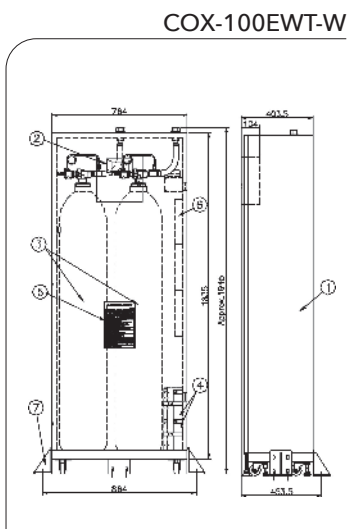
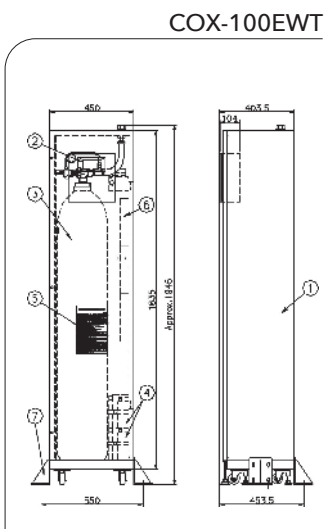
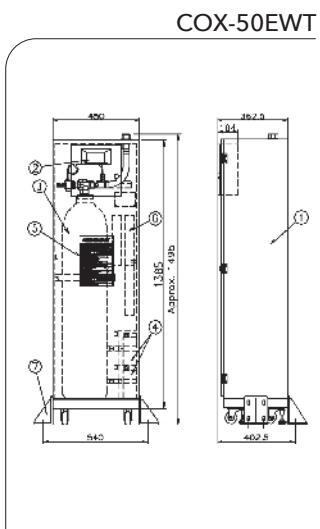
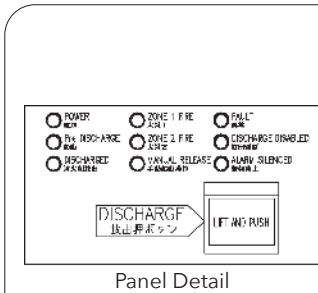
Fire extinguishing systems are essential for protecting life and equipment when a fire breaks out. They must be reliable and maintained regularly. Hatsuta's service network will provide users with the necessary "after care" and speedy service required.

High Quality, High Performance

Produced in on ISO 9001 factory. The Cabinex-EWT is of high quality and meets world wide requirements.

CABINEX-EWT

Constructions



Specifications

CABINEX-EWT			
Model No.	COX-50EWT	COX-100EWT	COX-100EWT-W
Approvals		FM Approved	
Extinguishing Agent		CO ₂	
Extinguishing Agent Weight	22.7kg (50LB)	45.4kg (100LB)	45.4kg (100LB)×2
Dimensions (H×W×D) mm	1,530×500×370mm	1,980×550×400mm	1,980×850×400mm
Color		Red	
Total Weight (Approx.)	170kg	270kg	400kg
Operating Temperature		0 to 40°C	
Input Voltage		AC 100-120V/187-240V, 50/60Hz	
Power		105W max	
Control Circuit Voltage		DC24V	

INPUT/OUTPUT

Battery Input	12V DC Battery ×2
SI Module Input	1 line
Manual Stations Input	1 line
Discharge Module Input	1 line
Relay Module Input	1 line
Actuator Output	DC24V / 1.0A Max.
Horn & Strobe Output	DC24V / 0.5A Max.
Output Voltage	DC24V / 1.0A Max.
Fire Alarm Relay	DPDT Contact Rating: 60W / 125VA, Voltage: AC250 / DC200V Max., Current: 1A Max.
Pre-Discharge Relay	DPDT Contact Rating: 60W / 125VA, Voltage: AC250 / DC200V Max., Current: 1A Max.
Fault Alarm Relay	DPDT Contact Rating: 60W / 125VA, Voltage: AC250 / DC200V Max., Current: 1A Max.

FUNCTION

Discharge Delay Timer	0, 5, 10, 20, 30, 60 Second Selectable
Number of Zones	2 (AND / OR Selectable)
Detector Address	Maximum 32 Point
History Record	Max. 100 events
Alarm Silence	Push "Alarm Silence" to Silence
Alarm Buzzer	Fire Alarm: Continuous Trouble Alarm: Intermittent
Manual Release	Push "Discharge Button" to Discharge

LED/SW

AC OK LED	Green (Off at AC Power Down)
Pre Discharge LED	Red (Flashes when in discharge pending. Off when Discharge)
Discharge LED	Red (On when Discharge Activates)
Zone 1 Fire LED	Red (Flashes when zone 1 alarm)
Zone 2 Fire LED	Red (Flashes when zone 2 alarm)
Manual Release LED	Red (Flashes when Manual release Activates)
Fault LED	Yellow (Flashes when fault)
Discharge Disabled LED	Yellow (flashes discharge disabled activates)
Alarm Silenced LED	Yellow (Flashes when alarm silenced)
Discharge Switch	Red push button (Outside the control panel)
AC Power Switch	White toggle switches
Enter Switch	White push button (for address checking)
Scroll Switch	White push button (for address checking)
Reset Switch	White push button (for address checking)
Silence Switch	White push button
Selected Model	

ARGONITE-CABINEX

Automatic Fire Extinguishing System (Argonite [IG-55]) for Magnesium Alloy Chipping.

Global & Clean ARGONITE CABINEX

“Corresponding with the ISO 14000 Epoch”
As the movement to cleaning up the Environment and Ecology has spread, fire fighting has focused on clean extinguishing agents. Argonite Cabinex is an automatic fire fighting system using an ideal agent “Argonite”, which has zero coefficient in both global warming and ozone depletion. Argonite Cabinex’s safety and benignancy to the environment make it the most suitable automatic fire extinguishing system in this epoch.



AGX-4

Optimal Fire Detector

- Heat Detector
THPS-10
- 3 Wavelength IR Flame Detector
SX-7000
- Sensor for fires from magnesium alloy shavings
MIR-100

P o i n t

ARGONITE-CABINEX

Ecologically benign gas

As we are concerned about the global ecology and environment, Argonite which is composed of natural elements, Argon (50%) and Nitrogen (50%) will not destroy any ozone or contribute in any way to global warming. This fire extinguishing agent is clean and benign to our mother earth.

Global Standard

Argonite (IG-55) has been recognized by NFPA 2001. It has been widely utilized and acknowledged as in international standard fire extinguishing agent.

Suitable for fires from magnesium alloy shavings

The system can automatically extinguish extremely difficult metal fires. The MIR sensor is suitable for detecting fires from magnesium alloy shavings.

Widely Applicable

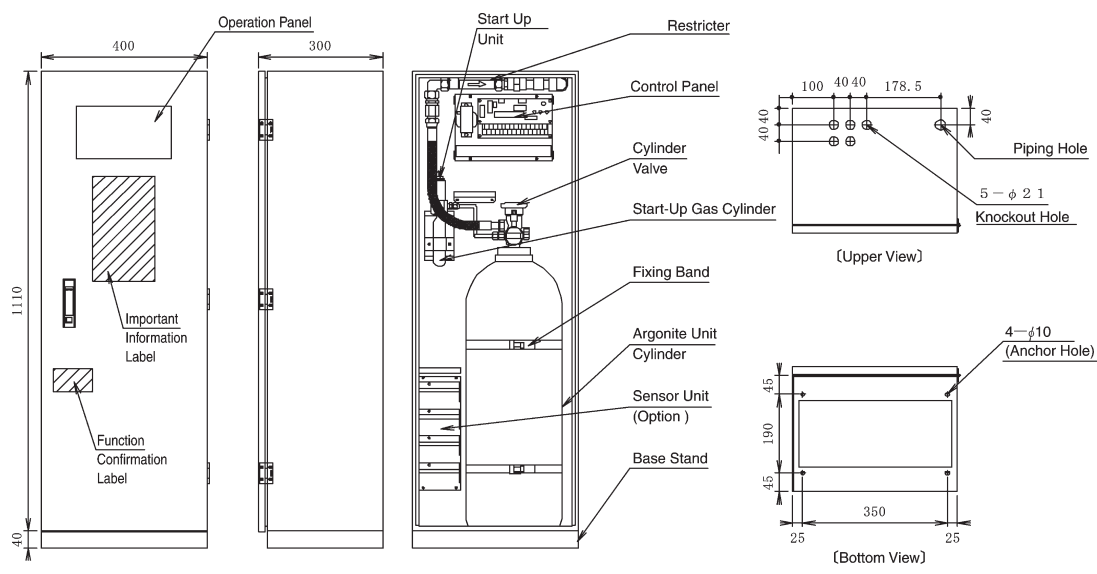
Argonite can be effectively utilized on various kinds of combustibles and especially appropriate to subjects for which water type or foam type fire extinguishing system are not compatible. In view of this feature of Argonite, it is suitable in the protection of electric facilities and many more applications.

Convenient

Argonite Cabinex is ideally suitable for various kinds of industrial equipment as the detection system circuit is selectable for AND / OR operation. Using various optional sensors, the system is compatible with almost all equipment installation. Argonite Cabinex is selectable for manual or automatic activation. As the container for fire extinguish agent can be separated from the control panel, Argonite Cabinex can be installed in almost every situation.

Constructions

AGX-4



Specifications

Main Type		Integrated Type		Separate Type Control Unit	
Model No.		AGX-4	AGX-8	CPX-AGR (Exposed Type)	CPX-AGU (Recess Type)
Main Chassis & Container	External Dimensions (H×W×D) mm	1,150×400×300mm	1,660×400×330mm	345×280×90mm	220×340×130mm
	Total Weight	Approx. 80kg	Approx. 110kg	Approx. 5.4kg	Approx. 5.7kg
	Extinguishing Agent	IG-55			
	Effective Discharge Volume	3.8m ³ (20°C)	7.3m ³ (20°C)		
Coating Specification		Red, Melamine Baking Finish			
Operating Temperature Range		0 to 40°C			
Input Supply Voltage Range		100V, 110V, 200V, 220V AC 50/60Hz (with each voltage terminal)			
Power Consumption		24VA Max.			
Operation Circuit Voltage		24VA DC			
Sensor Input Circuit		2 Lines (AND / OR operation selection system)			
Push Button for Start-Up		Red Push Button (with breaking acrylic plate)			
Reset Button		White Push Button			
Automatic / Manual Operation Selector Switch		The fire extinguisher can be operated with a sensor input signal in the automatic mode			
Control Function	Alarm Buzzer	Electronic Buzzer (Continuous sound in case of fire, Intermittent sound in case of abnormal condition)			
	Buzzer Stop Switch	Stops the intermittent sound in case of abnormal condition (The continuous sound in case of a fire cannot be stopped)			
	Power Indicator Lamp	Green LED			
	Auto Indicator Lamp	Green LED (Light up in the auto mode)			
	Fire Indicator Lamp	Red LED (Flashing in case of fire)			
	Discharge Indicator Lamp	Red LED (Flashing when the start up unit operates)			
	Fault Indicator Lamp	Yellow LED (Flashing at start up unit failure, sensor wiring line suspended)			
	Barn Out Indicator Lamp	Red LED (Flashing at sensor wiring line suspended)			
	Unit Failure Indicator Lamp	Red LED (Flashing when the start up unit connector is not connected yet)			
	Buzzer Stop Indicator Lamp	Red LED (Flashing at buzzer stop)			
	Fire Annunciating Contact	Contact c×1			
	Power Failure Annunciating Contact	Contact c×1			
Machine Stop Contacts	Contact c×1, Contact a×1, Contact b×1				
Contact Specifications	Contact Capacity: 60W / 125VA Max. Maximum Current: 1A Maximum Voltage: 250V AC / 200V DC				
Option	Battery	Ni-Cd Battery / 24V DC / 0.45Ah / 5 Hours			
	Timer	Delayable up to 10 seconds			
	Remote Start Button	Possible to start up remote push button			
Unit Product Code		60043199	60043299	36550700	
Selected Model					

Sub Type		Separate Type		
Model No.		AGX-4S	AGX-8S	AGX-16S
Main Chassis & Container	External Dimensions (H×W×D) mm	1,150×400×300mm	1,660×400×300mm	2,010×420×380mm
	Total Weight	Approx. 77kg	Approx. 107kg	Approx. 190kg
	Extinguishing Agent	IG-55		
	Effective Discharge Volume	3.8m ³ (20°C)	7.3m ³ (20°C)	15.0m ³ (20°C)
	Coating Specifications	Red, Melamine Baking Finish		
Operating Temperature Range		0 to 40°C		
Unit Product Code		60043499	60043599	60043799
Selected Model				

ing24II

Automatic Extinguishing System (Mechanical Foam) for Electrical Discharge Machine (EDM) and Rotogravure Printing Equipment.

Fire accidents can occur while EDM or Rotogravure printing equipment using organic solvents are running.

Even if one machine is stopped the effect on the factory and the loss of production that occurs has a huge effect. Ing24II can prevent large disasters by keeping damage to a minimum if a fire occurs.



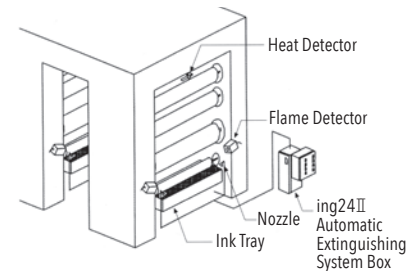
RE-35Z



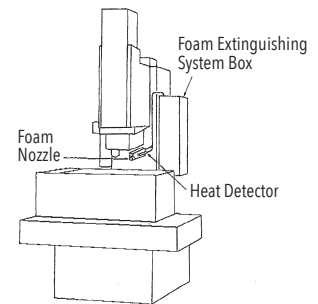
Most suitable fire detector

- Heat Detector
THKS-10

[Example Installation on a Rotogravure Printer]



[Example Installation on an EDM]



Point

Excellent Extinguishing Performance

Ing24II will quickly and effectively detect and extinguish a fire. The amount of extinguishing agent is selected depending on the size of the processing tank or ink pan.

24 hour Automatic Detection

Ing24II is equipped with a fire detector so it can automatically detect a fire 24 hours a day.

Instant detection with flame detector (limited to the Rotogravure spec)

In addition to the standard heat detector, a flame detector can also be used. The flame detector is

exceedingly fast at detecting fires and so can keep damage to a minimum. It also includes a false alarm prevention function.

Compact and Slim Box

Ing24II is designed with the concept of being slim and compact so that it will not interfere with the customers working environment.

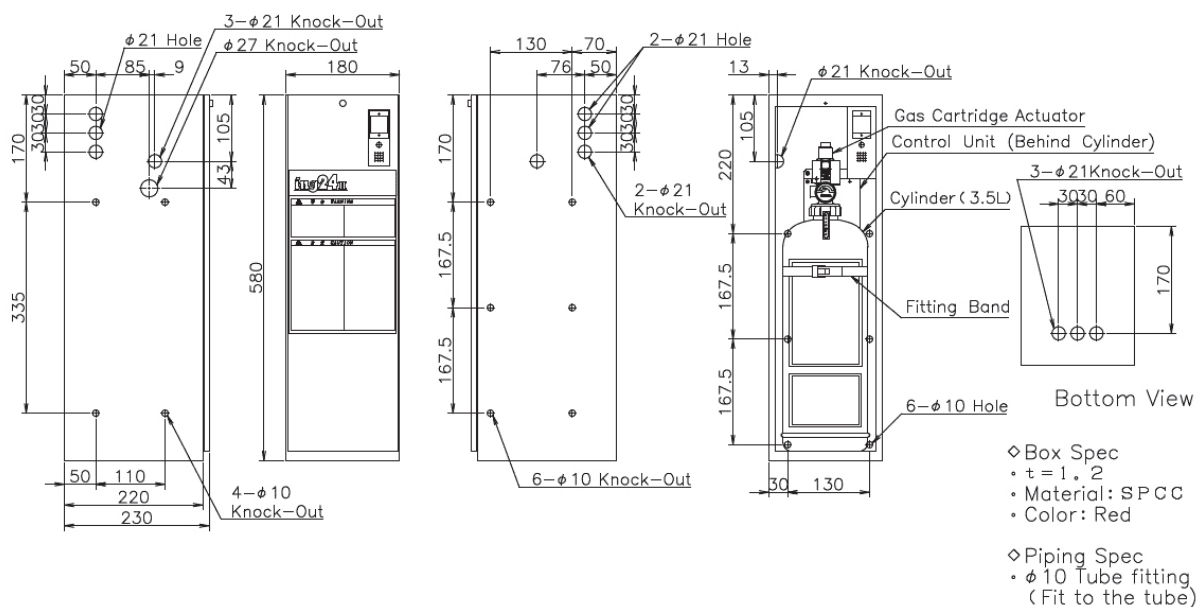
Interlock Outputs

Ing24II is not only an automatic fire extinguishing system, it can also shut down the EDM or Rotogravure and give a fire alarm signal by using its interlock outputs.

ing24II

Constructions

RE-35Z



Specifications

Name		Automatic Fire Extinguishing System for EDM and Gravure Printing	
Model		RE-35Z	RE-60Z
Approval No.		No. HT-DE-01-000	No. HT-DE-02-000
Extinguishing Agent		Mechanical Foam Extinguishing Agent	
Weight		Approx. 14kg	Approx. 20kg
Extinguishing Agent Amount		3.5L	6.0L
Operating Temperature Range		0 to 40°C	
Discharge Time		Approx. 60s	Approx. 80s
Box	Dimensions (H×W×D) mm	580×180×230mm	760×210×250mm
	Material	SPCC	
Nozzle		Small Type Foam Nozzle (N1-L1)	
Control Unit	AC Input Voltage	AC200V ±10% 50/60Hz	
	Alarm Buzzer	Continuous at Fire, Intermitant at Fault	
	Power Lamp	Green LED (Normal Condition: ON, Fault Condition: Flashing, No Power: OFF)	
	Sensor Input	2 lines set for 70 degrees C fixed temperature	
	Fire Alarm Relay	C contact Relay x 1	
	Fault Alarm Relay	C contact Relay x 1 (Fault includes; Sensor Open Circuit, Actuator Disconnect, Remote Discharge Line Open Circuit, Fire Alarm)	
Product Code		60063299	60063399
Selected Model			

Detectors

3 Wavelength InfraRed Flame Detectors

3 Wavelength InfraRed Flame Detectors

Flame detectors use an internal CPU to recognize the IR spectral pattern of a flame and produce a fire alarm signal. These are very reliable and rarely false alarm.



FM Approved

SX-7000

Used for semiconductor and FPD equipment



SX-3024 III-OT

Used where resistance against oil is required.

- NC Lathe
- Machining Center etc.



SX-3024 III

Used for general industrial equipment

Point

SX-3024 III series

With the same ease of use as the SX-3024 II, the SX-3024 III has been designed with the following functional improvements.

Improved environmental resistance (Noise resistance, oil resistance)

Evaluate to the internationally recognised IEC standards for noise resistance. Reducing the risk of false alarm from external noise. When resistance to oil is required, please select the SX-3024 III-OT model.

Compatible with the current controller

You can use the existing SX-3024 II controller. So when replacing a SX-3023 II you don't need to replace the controller. The cable colors are identical so there is little risk of wiring mistakes.

Fitting dimensions and Method are unchanged

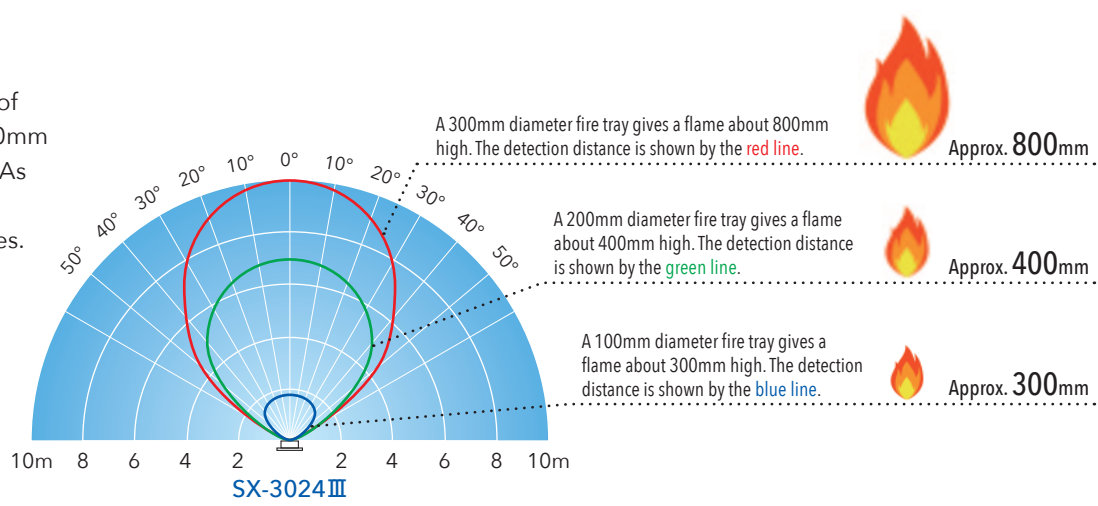
The front fitting screws and pitch are unchanged, so you use the same method to fit. You can also use the existing camera style bracket with the new SX-3024 III.

* Outer dimensions are not the same so it may interfere with neighboring equipment.

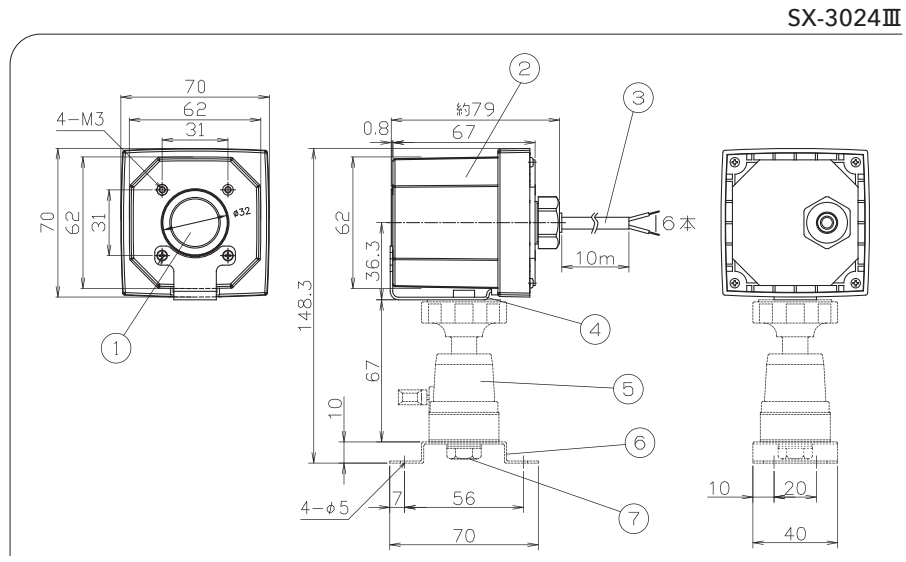
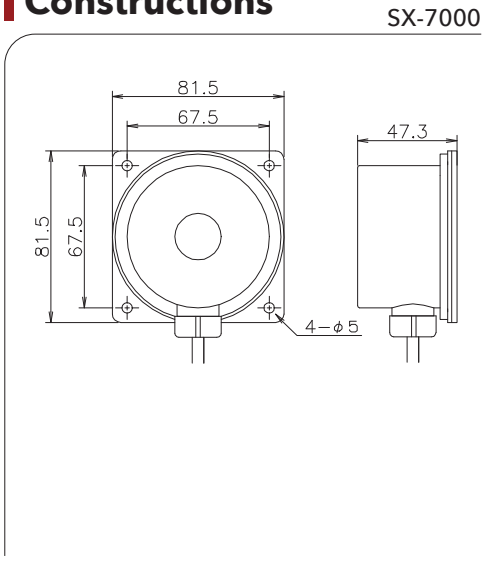
* The SX-3024 III-OT uses a special bracket.

Field of View

The graph shows the field of view with 100, 200 and 300mm diameter fire tray with IPA. As the flame gets larger, the detection distance increases.



Constructions



Specifications

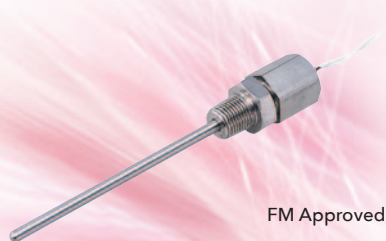
Type	3 Wavelength IR Flame Detector		
Name	SX-7000	SX-3024 III	SX-3024 III-OT
Model	HIR-7000-20	HIR-3024 III	HIR-3024 III-OT
Approval	FM Approved	—	—
Dimensions (H×W×D) mm	81.5×81.5×47.3mm	70×70×79mm	ø73×97mm
Cable Length	20m	10m / 15m	5m
Operating Temperature Range	0 to 70°C	0 to 50°C	0 to 50°C
Field of View	Cone ±50°	Cone ±25°	Cone ±25°
Material	PP		Duralumin
Weight	Approx. 160g		Approx. 425g
Detection Method	Infra red		
Input Voltage	DC24V		
Construction	IP67 Intrinsically safe Class I Div 2	IPX6 (water resistant)	IPX8 equivalent (oil resistant)
Color	Semi transparent		Metalic
Code	36515900	36180000 (10m) 36595000 (15m)	36580003
Selected Model			
Controller	Model	SX7-2C-EN	SX2C-E
	Code	36028400	36550500
Selected Model			

Detectors

Heat Sensor / SG Sensor

Heat Sensor

The heat sensors alarm when a set temperature is reached to indicate a fire. The TH series use a thermistor that is incased in a stainless body, making it resistant to solvents. The THIS sensor is FM approved and can be used in explosion hazard locations. The THPS is of similar construction to the THIS but is not FM approved. The THKS is designed for use on lathes and machining tools.



THIS-20



THKS-10



THPS-10S

SG Sensor

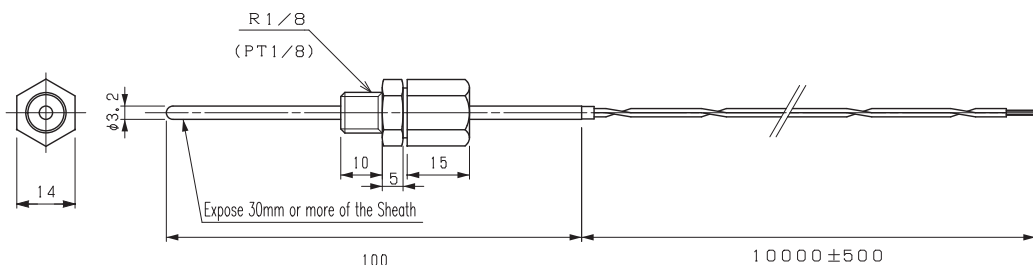
When a fire occurs in an electrical control panel it is rare for a flame to suddenly ignite. Usually the cables produce smoke and carbon monoxide as they smolder at the initial stages of a fire. The SG sensor can detect such gases and produce an alarm at the initial stages of an electrical fire. It can also detect flammable gases such as alcohols, and solvents.



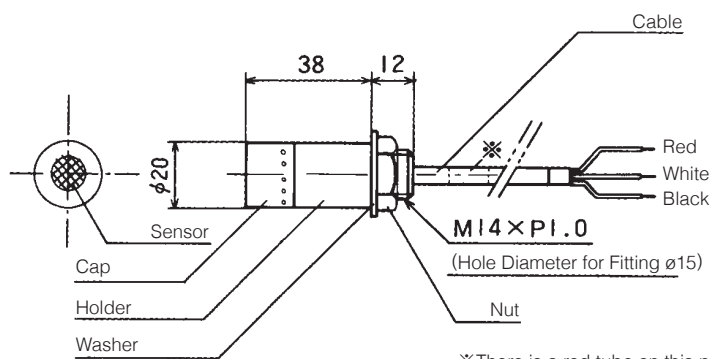
SG Sensor

Constructions

THPS-10S



SGP-NA/NC



※There is a red tube on this part of the sensor for IPA

Specifications

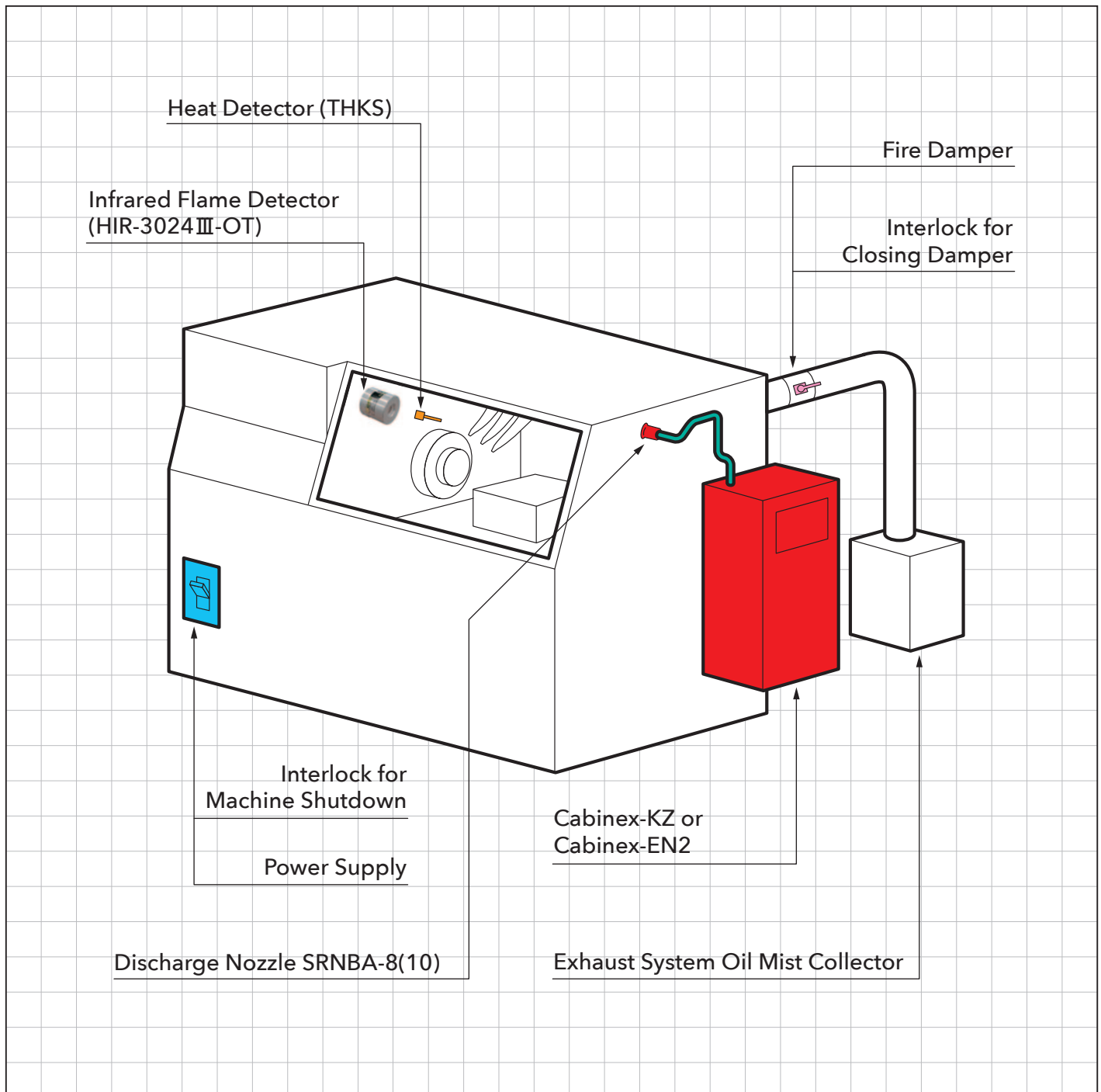
Item	Thermistor Heat Sensor			Smoke & Flammable Gas Detector	
Product Name	TH SENSOR			SG SENSOR	
Model	THIS-20	THPS-10S	THKS-10	SGP-NA	SGP-NC
Approvals	FM Approved	—	—	—	—
Measurement (H×W×D) mm	ø3.2×100	ø3.2×100	ø3.2×63.5	ø20×38	
Cable Length	20m	10m		3m	
Environmental Set Temperature	0 to 100°C			0 to 50°C	
Detectable Level	SI Module Setting 70, 100, 120, 150°C	2TH Controller Setting 50, 70, 100, 120, 150°C		IPA1000ppm= LEVEL 5	CO200ppm= LEVEL 5
Material	SUS304			C3604	
Weight	Approx. 70g			Approx. 180g	
Detection Method	Thermistor			Gas sensing semiconductor element	
Power Source	DC24V			AC 85-264V 50/60Hz	
Structure	Intrinsically Safe Class I Div2 Group A, B, C, D	Protective stainless steel tube		Stainless steel double metal mesh construction	
Product Code	36516200	36050200	36085000	36099700	36099600
Controller	Model	Controller 2TH-E		Control Panel SGC-L20REV 01	
	Product Code	36550200		36092400	
Selected Model					

Example Installations

Cabinex for Machine Tools / Semiconductor and FPD Production Tools

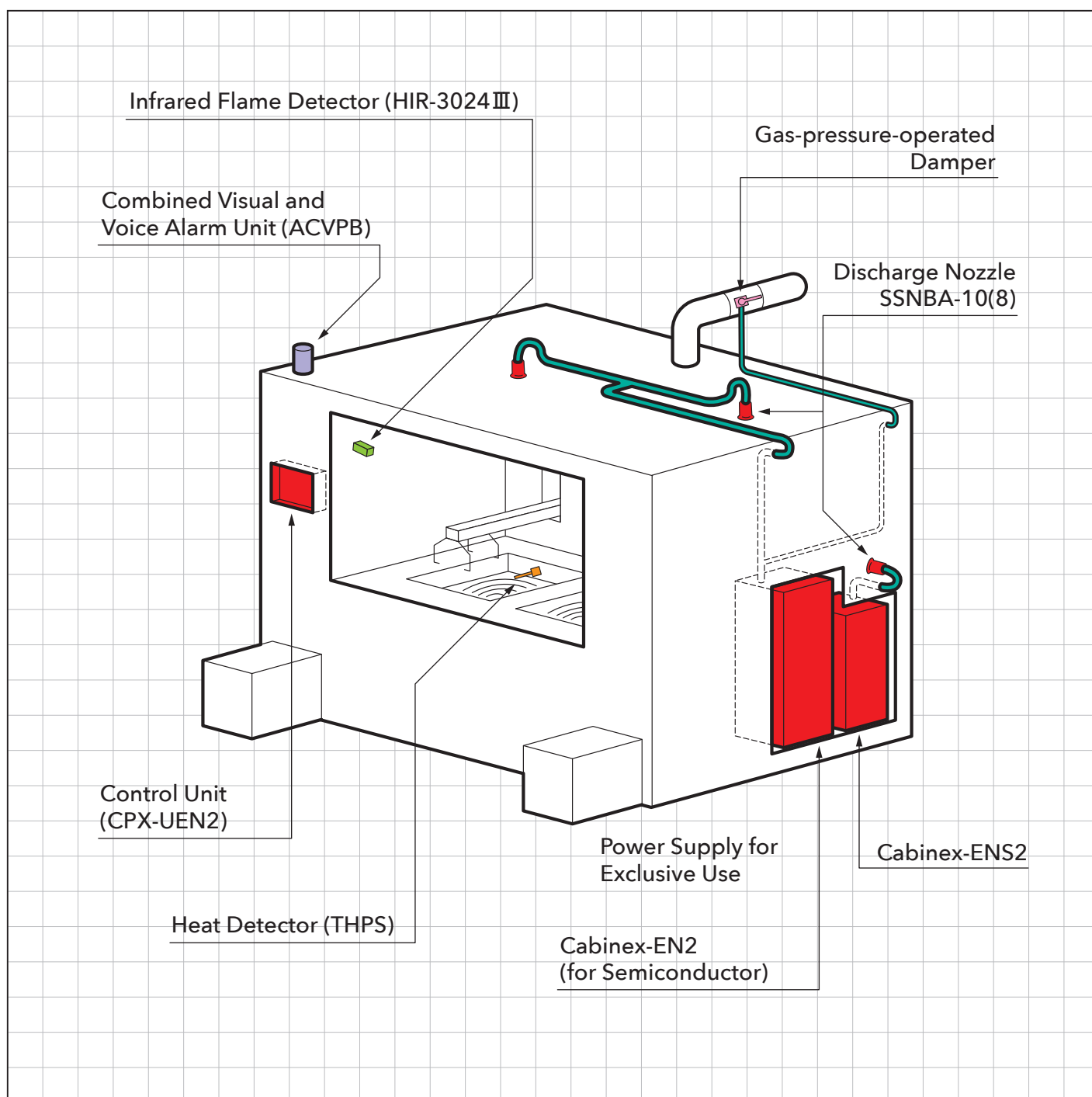
Cabinex Installation for Machine Tools

- The drawing below is a typical example for installation of CABINEX for NC lathe. The same systems can be applied for Machining Center.
- Explanation of each part of the Cabinex system.
 1. CABINEX Body: It contains CO₂ Cylinder and Control Panel. It should be decided in accordance with the volume of chemical agent required.
 2. TH Sensor: Heat Detector at 70°C. Hatsuta's original sensor.
 3. Nozzle: Total flooding system.



Installation of Cabinex for Semiconductor and FPD Production Tools

- Below is a typical installation drawing for Semiconductor and FPD Production Tools.
- Explanation of each part of the Cabinex system.
 1. CABINEX Body [Main]: to contain CO₂ Cylinder and Control Panel. It should be selected in accordance with the volume of extinguishing chemical agent required.
 2. CABINEX Body [Sub]: to contain only CO₂ Cylinder which is discharged together with Main's simultaneously.
 3. TH Sensor: Heat Detector at 70°C. Hatsuta's original sensor.
 4. Infrared Sensor: Flame Detector. Hatsuta's original sensor.
 5. Nozzle: Total flooding system.



Maintenance

Making sure the automatic fire extinguishing system works at a fire

1 Is regular maintenance being carried out periodically?

If a fire breaks out at a manufacturing site, you need the extinguishing system to operate correctly. Periodical maintenance can find issues before it happens and keep extinguishing functionality. These systems are not covered by fire law but we recommend periodical maintenance every 6 months.

2 Did you know that certain parts need to be replaced?

Certain parts of the Cabinex system need to be replaced periodically.

3 Has 10 years passed since installation?

We recommend that the complete Cabinex system be replaced 10 years after the date of installation.

- ✓ The actuator is not connected
- ✓ The power is still OFF
- ✓ Parts have not been replaced periodically
- ✓ Detectors are damaged or corroded
- ✓ The extinguishing cylinder is empty

**Risk of
major
accident**



Recommending Maintenance Contract



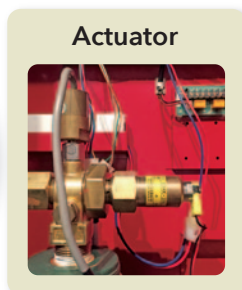
- There is a risk that the Cabinex fire extinguishing system you purchased doesn't work.
- It is very costly and time consuming to recover after a fire accident.
Investing in periodical maintenance for Cabinex systems can save you money and give you peace of mind.
- Continue to protect you valuable manufacturing equipment and staff by periodical maintenance of your Cabinex fire extinguishing system.

For Maintenance

Please contact us for additional information
about HATSUTA products and services.

<https://hatsuta.co.jp/english/contact/>

Some specified parts need to be replaced periodically



■ Complete service for speedy recovery of manufacturing sites

Fire can cause supply delays and reduce customer confidence. If a fire can be contained to a small event, production lines can be restored very quickly. That is why Hatsuta has full service network to provide periodic maintenance and emergency cylinder replacement services world wide.



Cabinex Maintenance Flow

1 Meeting to Check

Check the number of equipment requiring maintenance. Check the date.
(We will try to accommodate the customers preference for the date)

2 Maintenance

On the day of maintenance we will ask the customer to power down the protected equipment.
(Please advice the order you would like the maintenance to occur)

3 Maintenance Visual Inspection

Visual inspection of Cabinex main box, extinguishing cylinder, actuator, heat detectors, nozzles etc.

Note: we require that the protected equipment is stopped

* A visual inspection checks that the parts are not damaged and the status of the system

4 Maintenance Functional Test

The detectors, and manual release are activated, the damper operation, alarm sounder and the weight of the extinguishing agent are checked.

* The functional test is to check the functionality of the system by actually activating the devices to check. (Extinguishing agent is not discharged at the funtional test)

5 Maintenance Finished

After maintenance is complete, the service person will report to the customer.

* If there are any issues, the details and countermeasure method will be informed.

* Recommended replacement parts will also be informed.

6 Maintenance Check Sheet

The result of maintenance is compiled in the check sheet and issued to the customer. Any issues or required replacement parts will be indicated along with a quotation for those items as required.

Wind Cabi

Automatic fire extinguishing system for wind turbine

A fire extinguishing system that leaves no residue after a discharge.

The system is a combination of high extinguishing performance and safety, giving you piece of mind.

Designed base on Japan fire code, it is the first in the industry to be approved by FESC, increasing safety.



HAX-10BW



Point

Wind Cabi

Halon 1301 is a clean extinguishing agent

- Halon 1301 gas is used so there is little damage to equipment and recovery is quick.
- Extinguishing performance is high, so a small amount of gas can be used saving space
- Brake pads, oil pans, and even open areas (by local application) can be protected
- In Japan Halon can be used for critical use, and this application is acceptable.
(In accordance with Japan fire code 466, 2014 it is OK to use)

Powered by a primary lithium battery

- By being independent of AC power, the system is resistant to noise from lightning strikes. The battery can last for 1 year.

Excellent heat sensing system

- Using a small and fast heat detector, fires can be quickly detected inside the equipment.

Excellent fault detection

- Sensor open circuit, manual release open circuit, battery low, and actuator disconnect fault conditions are automatically detected.

Remote activation capability

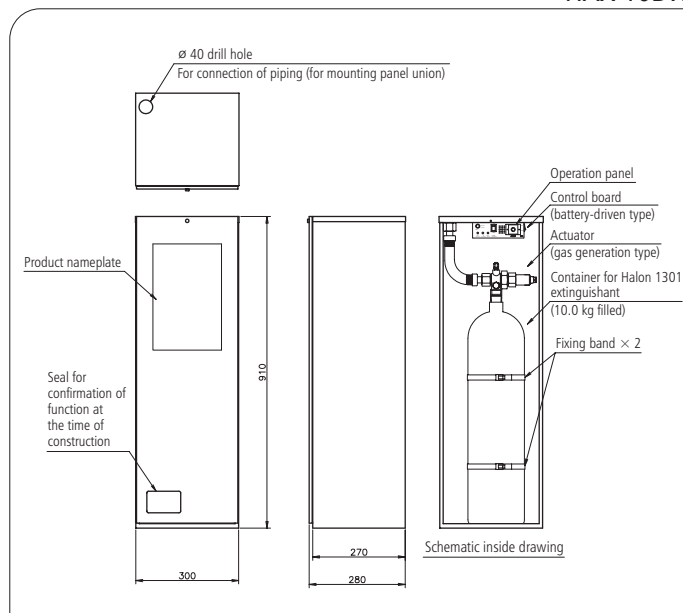
- If a person discovers a fire, the system can be activated from outside the nacel use the remote manual release.

Industry first, FESC approved

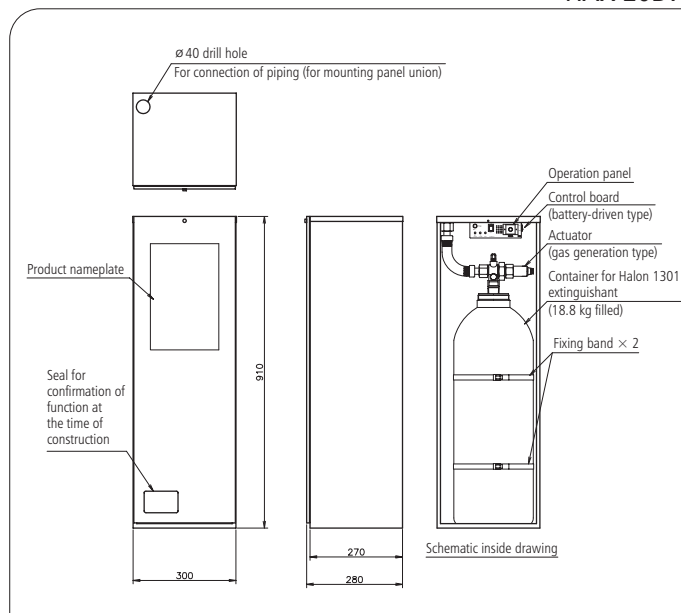
- Approved by FESC as a fire extinguishing system for protecting wind turbines.

Constructions

HAX-10BW



HAX-20BW



Specifications

Model Code		HAX-10BW	HAX-20BW
Main Body / Cabinet	Extinguishant	Halon 1301	
	Extinguishant Weight	10.0kg	18.8kg
	External Dimension	H910mm×W300mm×D280mm	
	Main Body Weight	Approx. 40kg	Approx. 65kg
	Coating Specification	Red JPMAJ2-142 (Melamine baking finish)	
	Operating Temperature Range	-10°C to +50°C (except nozzle and sensor)	
	Operating Humidity Range	0% to 85%, no bedewing	
Control Board	Kind of Battery Used	Exclusive primary lithium battery × 2 (battery life: 1 year)	
	Heat Detection Sensor Input Circuit	Four lines (100°C fixed / OR action)	
	Start Push Button	Red push button (with acrylic rupture disc) *1	
	Remote Push Button Input	1 input (for activation) / optional *2	
	Alarm Buzzer	Electronic buzzer (Fire: continuous sound, Fault: intermittent sound)	
	Buzzer Switch	For stopping sound of alarm buzzer	
	Power Indicator Lamp	Green LED (Push power check button to light.)	
	Fire Indicator Lamp	Red LED (Fire: blink)	
	Fault Indicator Lamp	Yellow LED (Fault: blink)	
		Blinks at fault shown below. <ul style="list-style-type: none"> • Disconnection of heat detection sensor • Disconnection of remote push button line • Low battery • Setting failure of gas generation type actuator 	
	Fire Relay	"a" contact × 1 (output at fire)	
	Machine Stop Relay	"c" contact × 1 (output at fire)	
Fault Relay	"c" contact × 1 (output at fault)		
	Outputs at fault shown below <ul style="list-style-type: none"> • Disconnection of heat detection sensor • Disconnection of remote push button line • Dead Battery 		
Contact Specification	Maximum current: 2A, maximum voltage: AC 250V, DC 220V		
Nozzle	Nozzle Shape	Front discharge type nozzle	
	Discharge Time	Within 30 seconds	

*1 Start push button is used only at the time of maintenance of the control board.

*2 Remote push button is used for activating the fire extinguishing system by remote control. For the push button, select 'non-voltage "a" contact type' and connect it.

Smart Grid Cabi

Automatic Fire Extinguishing System for Battery Container Storage

The necessary extinguishing performance in a compact box; package type extinguishing system. Gives you the piece of mind in the unlikely event of a fire.



HAMH-68-SG

P o i n t

Smart Grid Cabi

High Performace Extinguishing

- Highly efficeint fire extinguishing performance by using Halon 1301.
- In Japan Halon can be used for this application in accordance with fire protection code 466.

Great for Battery and Electrical Fires

- This system is designed for battery storage container systems.

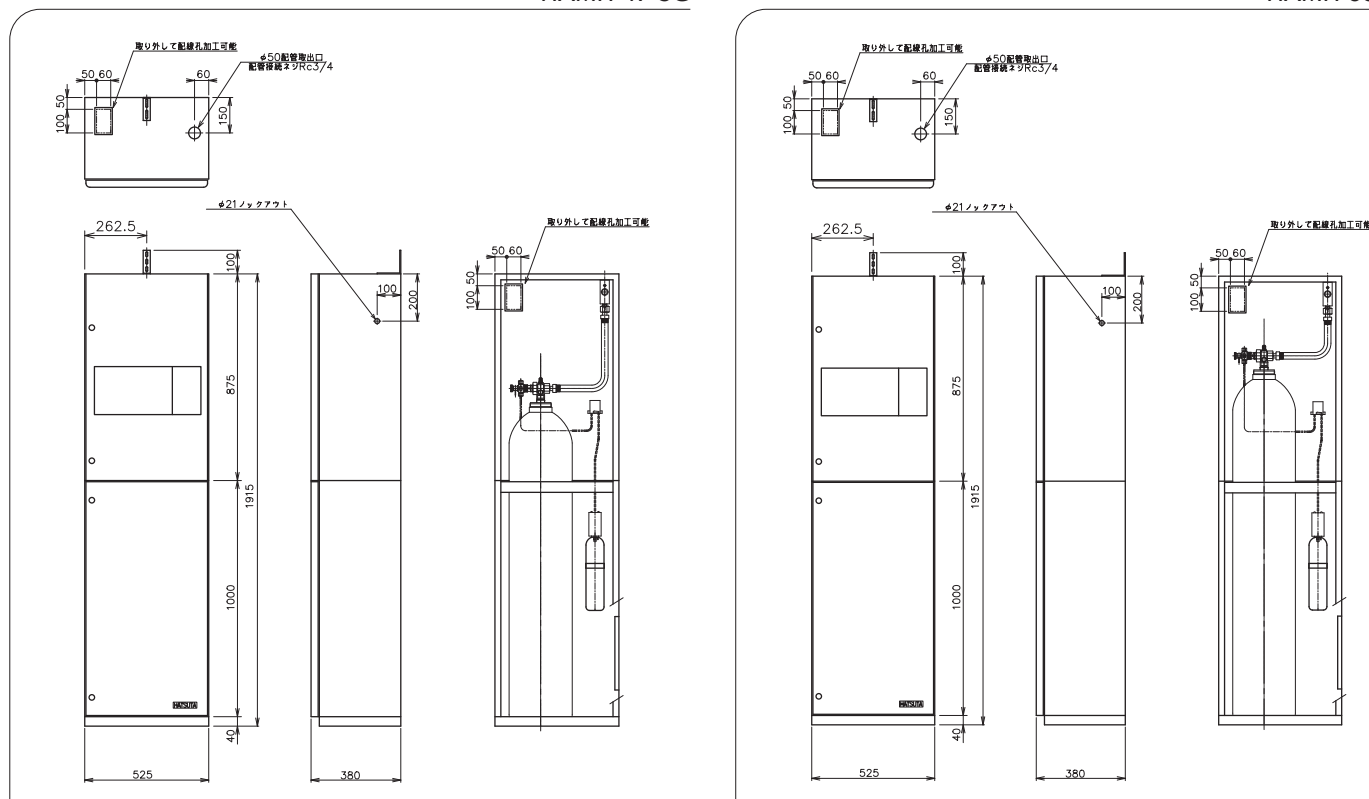
Safe for People

- Low toxicity, safe for people to enter the protected area.

Constructions

HAMH-47-SG

HAMH-68-SG



Specifications

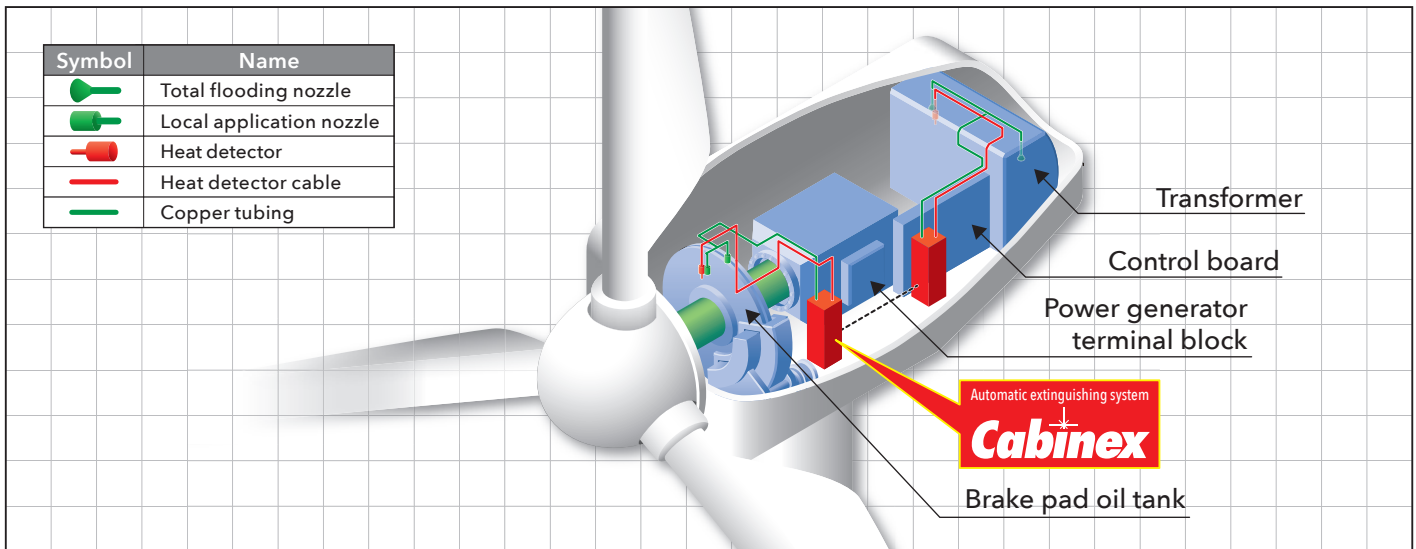
		Smart Grid Cabi									
Model		HAMH-68-SG		HAMH-47-SG			HASH-68-SG		HASH-47-SG		
Control Unit Approval Name		COM-A									
Control Unit Approval Number		No. 086									
Main Box	Product Name	68L Main Type			47L Main Type			68L Sub Type		47L Sub Type	
	Gross Weight	Approx. 238kg	Approx. 248kg	Approx. 186kg	Approx. 196kg	Approx. 206kg	Approx. 238kg	Approx. 248kg	Approx. 186kg	Approx. 196kg	Approx. 206kg
	Extinguishing Agent	Halon 1301									
	Extinguishing Agent Weight	60kg, 70kg			30kg, 40kg, 50kg			60kg, 70kg		30kg, 40kg, 50kg	
	Cylinder	Material: Mn steel, Test Pressure: 12.8MPa, Color: Gray									
	Cylinder Valve	Model Yo-081 Model HFV-68H									
	Box Dimensions	W525×D380×H1,915									
	Box Construction	Front opening (t=1.6mm)									
	Box Coating	Color: White									
	Operating Temperature Range	0 to 40°C									
	Operating Humidity	Less than 85%									
Voice Alarm	AA-008 (approved)						—				
Manual Release	14-427 (Hyotei approved) Model RPB-237						—				
Electrical Spec.	Discharge Method	Main type: Manual / Auto selectable, Sub type is operated by main type									
	Detector Lines	2 lines AND activation									
	Delay Timer	Can be set between 0 and 99 seconds									
	Monitor Function	1. Detector line open 2. Ground fault 3. Circuit voltage fault 4. Manual release short									
	System Setting	Manual: system set to manual activation, Auto: system set to automatic activation									
	Relay Output	1. Auto / Manual c contact×1 2. Fire Alarm a contact×1 3. Activate a contact×1 4. Discharge a contact×1 5. Fault a contact×1 6. Machine stop c contact×3									
	Relay Contact Capacity	60W / 125 VA max, 1A max, 250V AC 220V DC max									
	Solenoid Actuator	Model CS-24T									
	Pilot Cylinder	Model C-1S filled with 0.6kg gas									
	Maintenance Function (Lock-out Valve)	Normal: Normal lamp ON, system can function Maintenance: Maintenance lamp ON, system maintenance can be performed Fault: Fault lamp ON, check the setting of the lock-out valve.									
	Lock-out Valve	Model MEB-2L									
Circuit Voltage	24V DC										
Power	50W max										
Power Supply with Battery	Select from: 1. 100V AC input, 3.5Ah battery 2. 200V AC input, 3.5Ah battery										

Example Installations

Wind Cabi / Smart Grid Cabi

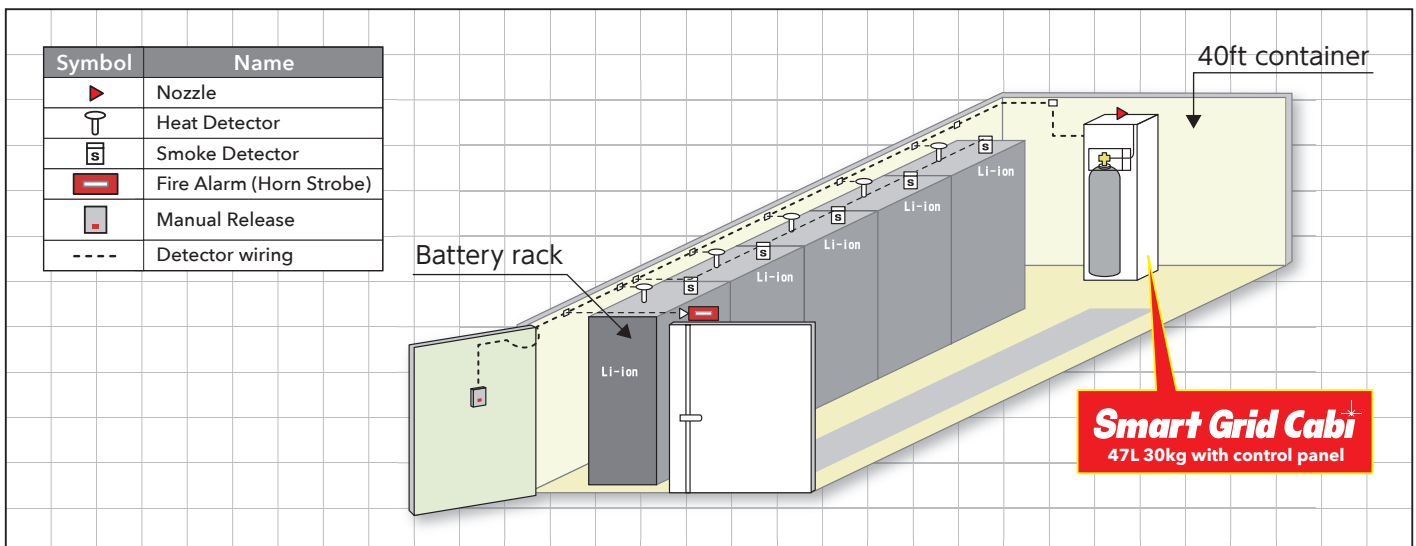
Wind Cabi Example

- This shows a Wind Cabi typical installation on a wind turbine
- Protected Area: Equipment inside the nacelle
- Explanation of the main parts
 1. Body: Halon 1301 cylinder with control panel. The required agent size selected.
 2. Detection: Out original heat detectors (set for 100°C).
 3. Nozzles: For total flooding and local application.



Smart Grid Cabi Example

- This shows a Smart Grid Cabi installed on a container battery storage unit.
- Protected area: The inside of a 40ft container
- Explanation of the main parts
 1. Body: Halon 1301 cylinder with control panel. The required agent size selected.
 2. Detection: 2 types using AND operation (e.g. heat detectors AND smoke detectors)
 3. Nozzles: For total flooding



ECOSS-PureWater ("Burstless")

After extinguishing, secondary problems are reduced by the pure water based extinguisher.

This portable fire extinguisher is excellent at preventing secondary problems with electronic equipment. This can help to reduce the down time of the electronic equipment after a fire has been extinguished.

Used for protecting schools, cleanrooms, precision equipment etc.



PWE-3S



Releasing the squeeze on the lever stops the discharge.

Point

ECOSS-PureWater

Burstless (Pressurised type) for safety

When cartridge type extinguishers are discharged the gas cylinder (carbon dioxide) suddenly pressurises the cylinder. If there is corrosion or damage to the cylinder there is a risk it will burst when the extinguisher is activated. ECOSSE extinguishers are "burstless" (pressurised type) using clean Nitrogen gas for uniform pressure so they won't burst upon activation.

* In the last 10 years all cases of bursting at actuation have been cartridge type.

Complies with PRTR regulations, PFOS free

This is an environmental type II fire extinguisher that complies with PRTR regulations and is PFOS free.

Pressurised type gives easy operation for women too.

"Burstless" (pressurised type) fire extinguisher have very little recoil when operated making them easy to operate for women or even children.

ECOSS series can be checked by Inspecting the Pressure Gauge

Proper maintenance should be carried out by professionals, However daily checks can be easily made by simply checking the the pressure gauge indicator is in the green zone.

Preventing Secondary Problems

Based on pure water, it does not contain salts, so very little substance remains after a discharge. Equipment can be quickly restored after a discharge.

Can be used on A and C Fires

Using penetration it has highly stable extinguishing qualities. With a pure water base the electrical conductivity is less than 10µs/cm. That is approx. 1/20 th of tap water (our comparison).

Specifications

	Stainless Steel Stored Pressure Type Pure Water Fire Extinguisher
Model	PW-3SX
Extinguishing Agent	Agent for Pure Water
Volume of Chemical Agent	3.0L
Gross Weight	Approx. 5.2kg
Total Height	Approx. 491mm

Total Width	Approx. 225mm
Depth	Approx. 142mm
Discharging Distance (+20°C)	4-7m
Discharging Time (+20°C)	Approx. 21seconds
Ability Unit for Putting Out Fire	A-1·C
Temperature to be Used	0 to 40°C
Pressure of Filling Agent	N ₂ 0.7-0.98 MPa

METAX

Effective on fire from metal powder, chip and foil.



PFOS Free



Releasing the squeeze on the lever stops the discharge.

PMP-20

Objects that can be extinguished

Magnesium, Aluminum and the alloys of those metals.

(For other metals, please contact to our sales person.)

Point

It's safe because we use Inorganic Chemical for the agent.

No need to worry about explosion and chemical reaction.

Burstless (Pressurised type) for safety

When cartridge type extinguishers are discharged the gas cylinder (carbon dioxide) suddenly pressurises the cylinder. If there is corrosion or damage to the cylinder there is a risk it will burst when the extinguisher is activated.

Eclass extinguishers are "burstless" (pressurised type) using clean Nitrogen gas for uniform pressure so they won't burst upon activation.

* In the last 10 years all cases of bursting at actuation have been cartridge type.

Cover the fire with the accumulation of chemical agent.

It is effective to put the agent over and over on fire from metal powder or foil.

Simple handling, just like normal fire extinguishers.

Extinguishing agent will be discharged from the specific nozzle after you pull out the safety pin and grip the lever.

The agent is not restricted by PRTR.

PRTR: Pollutant Release and Transfer Register

METAX

Specifications

Product Name	Fire Extinguisher for Metal Fire
Model	PMP-20*
Total Weight	Approx. 10.2kg
Extinguishing Volume	6.0kg
Total Height	Approx. 650mm
Total Width	Approx. 250mm
Depth	Approx. 190mm
Diameter	ø156mm
Discharge Time (+20°C)	Approx. 30 sec
Unit Product Code	090750

*Metax is not a stock product.

Correct Usage

Hold the pipe firmly, and sufficiently pile up the extinguishing agent on top of the burning metal.

* The special hose gives a discharge distance of approx. 20cm. There is very little discharge force and the extinguishing agent comes out gently.



Guide to the amount of extinguishing agent

The following is a guide based on our fire tests. These are not from fire code. Please use as a reference when selecting the product

* We can assist in burning and extinguishing tests for metal compound not found here.

Magnesium (Chips)	Approx. 8kg/m ² (Approx. 10mm depth)
Titanium (Chips)	Approx. 8kg/m ² (Approx. 10mm depth)
Tungsten (Powder)	Approx. 16kg/m ² (Approx. 20mm depth)
Aluminium (Powder)	Approx. 16kg/m ² (Approx. 20mm depth)

HATSUTA Contact List

	Address	TEL	FAX
FPS Business Unit	1-5-47, Chibune, Nishiyodogawa-ku Osaka-shi, Osaka 555-0013 Japan	+81-6-6471-1505	+81-6-6475-8241
East Japan	1-5-10, Shibadaiimon, Minato-ku, Tokyo105-0012 Japan	+81-3-6432-4404	+81-3-6432-4454
Central Japan	2-28-13, Shinsakae, Naka-ku Nagoya-shi, Aichi 460-0007 Japan	+81-52-262-2581	+81-52-241-3017
West Japan	1-5-47, Chibune, Nishiyodogawa-ku Osaka-shi, Osaka 555-0013 Japan	+81-6-6471-1505	+81-6-6475-8241
West Japan, Kyushu	11-10 Sun-east-fukuoka 5F, Okihamamachi, Hakata-ku Fukuoka-shi, Fukuoka 812-0031 Japan	+81-92-233-1365	+81-92-291-7864
Product Development	3-5, Shodaitajika, Hirakata-shi, Osaka 573-1132 Japan	+81-72-856-1293	+81-72-856-1310

	Address	TEL	FAX
Global Sales Department	3-5, Shodaitajika, Hirakata-shi, Osaka 573-1132 Japan	+81-72-856-1292	+81-72-856-1475

	Address	TEL	FAX
Head Office	3-5, Shodaitajika, Hirakata-shi, Osaka 573-1132 Japan	+81-72-856-1281	+81-72-856-1472
Tokyo Head Office	1-5-10, Shibadaiimon, Minato-ku, Tokyo 105-0012 Japan	+81-3-6432-4144	+81-3-6432-4147

Disaster Prevention Business Unit	1-5-10, Shibadaiimon, Minato-ku, Tokyo 105-0012 Japan	+81-3-6432-4464	+81-3-6432-4147
Hokkaido Branch	2-15, Hongodori 4-chome minami, Shiroishi-ku Sapporo-shi, Hokkaido 003-0024 Japan	+81-11-798-8761	+81-11-798-8766
Touhoku Branch	2-17-11, Haginomachi, Miyagino-ku Sendai-shi, Miyagi 983-0043 Japan	+81-22-232-4402	+81-22-284-6086
Tokyo Branch	1-5-10, Shibadaiimon, Minato-ku, Tokyo 105-0012 Japan	+81-3-6432-4477	+81-3-6432-4409
Hokuetsu Branch	622-2, Akada, Toyama-shi, Toyama 939-8064 Japan	+81-76-421-0958	+81-76-421-0959
Chubu Branch	2-28-13, Shinsakae, Nagoya-shi Naka-ku, Aichi 460-0007 Japan	+81-52-262-2581	+81-52-241-3017
Kansai Branch	1-5-47, Chibune, Nishiyodogawa-ku Osaka-shi, Osaka 555-0013 Japan	+81-6-6473-4870	+81-6-6473-5090
Kansai Branch Shikoku	1-7-43, Nishiishii, Matsuyama-shi Ehime 790-0931 Japan	+81-89-969-6156	+81-89-958-6616
Chugoku Branch	3-12-20, Kusunokicho, Nishi-ku Hiroshima-shi, Hiroshima 733-0002 Japan	+81-82-509-5470	+81-82-230-5014
Kyushu Branch	11-10 Sun-east-fukuoka 5F, Okihamamachi, Hakata-ku Fukuoka-shi, Fukuoka 812-0031 Japan	+81-92-281-6287	+81-92-291-7864
Sales Development	1-5-10, Shibadaiimon, Minato-ku, Tokyo 105-0012 Japan	+81-3-6432-4522	+81-3-6432-4523
Corporate Sales Section	3-5, Shodaitajika, Hirakata-shi, Osaka 573-1132 Japan	+81-72-856-1276	+81-72-867-2181
Product Development	3-5, Shodaitajika, Hirakata-shi, Osaka 573-1132 Japan	+81-72-856-1288	+81-72-856-1310

Shosetsu Business Unit	3-5, Shodaitajika, Hirakata-shi, Osaka 573-1132 Japan	+81-72-856-1294	+81-72-856-1280
Tokyo Branch	1-5-10, Shibadaiimon, Minato-ku, Tokyo 105-0012 Japan	+81-3-6432-4397	+81-3-6432-4509
Kansai Branch	1-5-47, Chibune, Nishiyodogawa-ku Osaka-shi, Osaka 555-0013 Japan	+81-6-6471-1505	+81-6-6475-8241
Nagoya Office	2-28-13, Shinsakae, Nagoya-shi Naka-ku, Aichi 460-0007 Japan	+81-52-262-2581	+81-52-857-0005
Kyushu Office	11-10 Sun-east-fukuoka 5F, Okihamamachi, Hakata-ku Fukuoka-shi, Fukuoka 812-0031 Japan	+81-92-281-6270	+81-92-291-7864

Maintenance Business Unit	1-5-10, Shibadaiimon, Minato-ku, Tokyo 105-0012 Japan	+81-3-6432-4107	+81-3-6432-4997
---------------------------	---	-----------------	-----------------

Related Companies	Address	TEL	FAX
Hatsuta Techno Head Office	1-5-10, Shibadaiimon, Minato-ku, Tokyo 105-0012 Japan	+81-3-6452-9803	+81-3-6452-9833
Shin Oki Bosai	2-55-2, Makiminato, Urasoe-shi, Okinawa 901-2131 Japan	+81-988-78-1941	+81-988-78-8494
Hatsuta Shanghai	A-1F, 8th Building, No.658, Jinzhong Road, Changning Area, Shanghai 200335 P.R.China	+86-21-3214-0604	+86-21-6249-2536
Hatsuta Ningbo	NO.28 Dong Huan Road Ningbo Export Processing Zone Zhejiang China	+86-574-2686-8855	+86-574-2688-2110
Siam Hatsuta	65, 42 Tower, Room 1004, 1204-5, Soi Sukhumvit 42, Sukhumvit Road, Prakanong, Klongtoey, Bangkok, 10110 Thailand.	+66-2-712-3272/3	+66-2-712-3274

Customer call center **+81-72-856-1292** Open from 9:00 to 12:00, 13:00 to 17:00 (not including Saturday or Sunday or public holidays)

URL www.hatsuta.co.jp/english/

Head Office



Hatsuta Ningbo



HATSUTA - GLOBAL



Global Service Network of Cabinex

System Design

Experience in meeting local and international safety requirements.

Sales and Support

Full sales support for systems and replacement parts.

Installation

In cleanroom according to local fire rules

Maintenance

Periodical maintenance and testing.

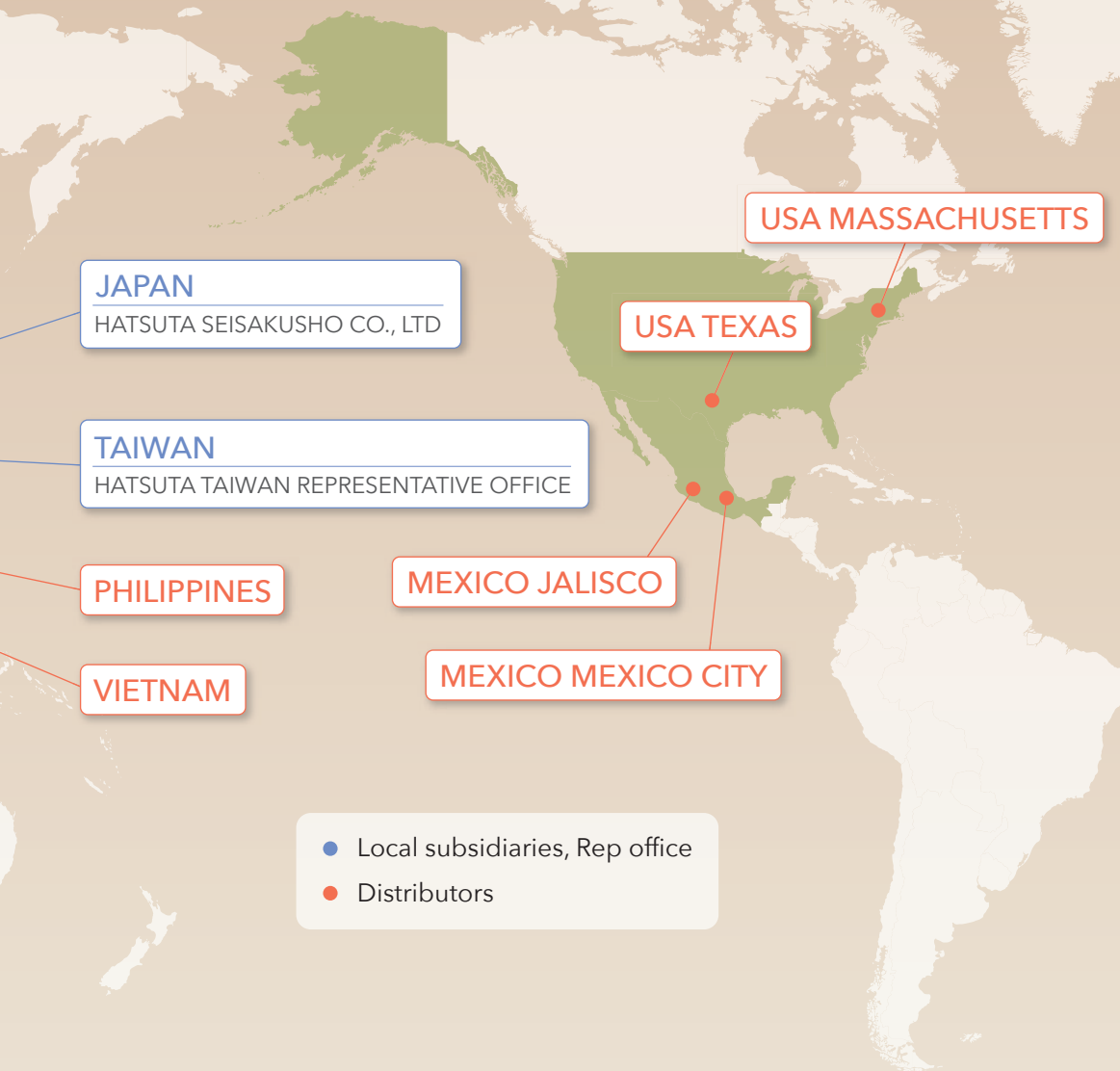
CO₂ Refill

For quick recovery.

Fire Protection Advising

Advice on fire systems for your application.

SERVICE NETWORK



Company Profile

Name : Hatsuta Seisakusho Co., Ltd.

President : Kazuhiro Hatsuta

Established : December 1st, 1902

Capital Fund : USD 0.8 million

Main Products : Fire extinguishing systems, alarm systems, fire-extinguishing equipment, equipment associated with the prevention of fire.



 **Hatsuta Seisakusho Co., Ltd.**

 www.hatsuta.co.jp/english/

Customer call center **+81-72-856-1292**

Open from 9:00 to 12:00, 13:00 to 17:00 (not including Saturday or Sunday or public holidays)

 **Caution:** Read the operation manual carefully before using products

(For Notes...)



ISO 9001 **ISO 14001**
JQA-QM3671 JQA-EM2837
(Head Office and Branches)

Giving you service with sincerity.